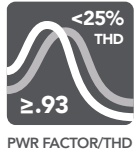
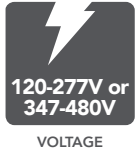


LEDAL G2 LED AREA LIGHT | SHOE BOX STYLE FIXTURE



highest-in-class LPW



extremely durable powder coat resists fading & peeling

- Patented “v-groove” bracket mounting allows for a fast and easy installation. V-groove self-locks onto the fixture.
- Superior standard 15kV surge protection.
- Optional fixture integrated high/low motion sensor with remote control to adjust settings.
- 7-pin NEMA receptacle included standard. Compatible with all photocells (standard and dimmable) and wireless control systems.
- Easy-to-secure clips to access the driver box does not require any screws or tools.



200L, 270L, 330L



75L, 120L, 140L

STOCK ITEMS

PART #	UPC	REPLACES	WATTAGE	LUMENS	LPW	CCT (K)
RPT-P-LEDAL-G2-140L-840-STD-T3-DB	844006010263	400W MH system	100	13,584	135	4000K
RPT-P-LEDAL-G2-330L-840-STD-T3-DB	844006010379	1000W MH system	240	31,306	130	4000K
RPT-P-LEDAL-G2-400L-840-STD-T3-DB	844006010416	1200W MH system	300	39,268	130	4000K

*See page 2 configurable specification sheet for additional styles, lumen packages, color temperatures and options.



RemPhos by Light Efficient Design
lighting on target

FOR PRODUCT INFO (“LED” MODEL #) CONTACT.....Light Efficient Design • 188 S. Northwest Highway • Cary, IL 60013 • 847.380.3540 • led-llc.com
FOR PRODUCT INFO (“RP” MODEL #) CONTACT.....RemPhos by Light Efficient Design • 30 Log Bridge Road, Building 200 • Middleton, MA 01949 • 877.997.3674 • remphos.com

08.20.18 Information is subject to change without notice.

LEDAL G2 LED AREA LIGHT | SHOEBOX STYLE FIXTURE



PART NUMBER BUILDER

MFR	CLASS	PRODUCT	GEN	LUMENS	COLOR	OPTIONS	OPTICS	COLOR
RPT	P	LEDAL	G2		840	STD	T3	

75L=7,500 Lumens
120L=12,000 Lumens
140L=14,000 Lumens
200L=20,000 Lumens
270L=27,000 Lumens
330L=33,000 Lumens
400L=40,000 Lumens

830=80CRI/3000K
840=80CRI/4000K
850=80CRI/5000K

STD= 7-pin NEMA socket receptacle
PC= Photocell
OCC= Motion Sensor
PC-OCC= Photocell & Motion
HV= High Voltage (347-480)
HVPC= High Voltage & Photocell
HVOC= High Voltage & Motion

T3=T3 optic
T4=T4 optic
T5=T5 optic
TW=Wide Flood Optic
TMF=Medium Flood Optic

DB=Dark Bronze
LG=Light Gray

ORDERING EXAMPLE

FIXTURE RPT-P-LEDAL-G2-75L-840-STD-T3-DB
BRACKET RP-AL-BKT-A-DB-G2

PLEASE NOTE, BRACKETS SOLD SEPARATE, WHEN ORDERING LIST BRACKET ON SEPARATE LINE. ONE BRACKET PER FIXTURE REQUIRED.

ORDERING GUIDE

CASE QTY	QUICK SHIP	DLC	REMPHOS PART #	UPC CODE	LED MODULES	LUMEN @4000K	LPW @4000K	LUMEN @5000K	LPW @5000K	WATTAGE	WARRANTY	REPLACES
1		●	RPT-P-LEDAL-G2-75L-840-STD-T3-DB	844006010454	1	7,324	143	7,868	153	51	10	200W MH system
1		●	RPT-P-LEDAL-G2-120L-840-STD-T3-DB	844006010232	1	10,259	131	11,046	140	78	10	300W MH system
1	●	●	RPT-P-LEDAL-G2-140L-840-STD-T3-DB	844006010263	1	13,584	135	13,584	135	100	10	400W MH system
1			RPT-P-LEDAL-G2-200L-840-STD-T3-DB		2	20,700	138	20,700	138	150	10	600W MH system
1			RPT-P-LEDAL-G2-270L-840-STD-T3-DB		2	24,807	130	26,523	138	191	10	800W MH system
1	●	●	RPT-P-LEDAL-G2-330L-840-STD-T3-DB	844006010379	2	31,306	130	31,306	130	240	10	1000W MH system
1	●	●	RPT-P-LEDAL-G2-400L-840-STD-T3-DB	844006010416	3	39,268	130	39,268	130	300	10	1200W MH System

MOUNTING BRACKETS

REMPHOS PART #	DESCRIPTION
RP-AL-BKT-A-DB-G2	Adjustable Slip-Fitter Bracket, Dark Bronze
RP-AL-BKT-B-DB-G2	Square and Round Pole Bracket, Dark Bronze
RP-AL-BKT-C-DB-G2	Trunnion Bracket, Dark Bronze
RP-AL-BKT-F-DB-G2	Wall Mount Bracket, Dark Bronze



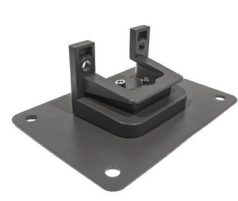
A
Adjustable Slip-Fitter Bracket



B
Square and Round Pole Bracket



C
Trunnion Bracket



F
Wall Mount Bracket

OPTIONAL FACTORY INSTALLED PHOTOCELL



FULL ANSI C136.41 7 PIN DIMMING RECEPTACLE SUPPORT



PC7
PHOTOCELL (7PIN)



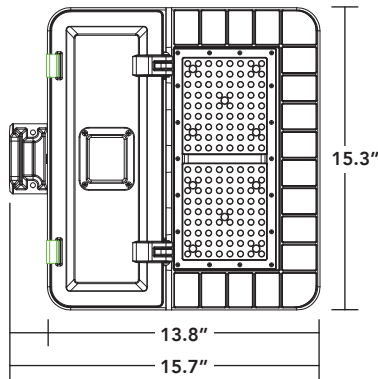
FOR PRODUCT INFO ("LED" MODEL #) CONTACT.....Light Efficient Design • 188 S. Northwest Highway • Cary, IL 60013 • 847.380.3540 • led-llc.com
FOR PRODUCT INFO ("RP" MODEL #) CONTACT.....RemPhos by Light Efficient Design • 30 Log Bridge Road, Building 200 • Middleton, MA 01949 • 877.997.3674 • remphos.com

08.20.18 Information is subject to change without notice.

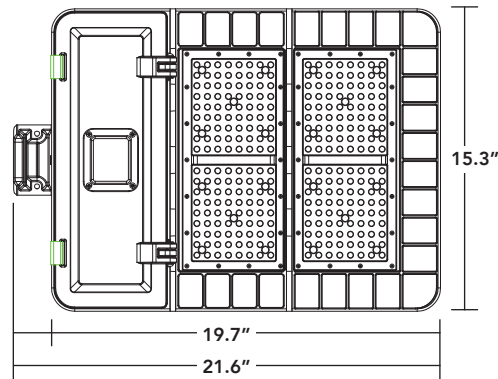
LEDAL G2 LED AREA LIGHT | SHOEBOX STYLE FIXTURE



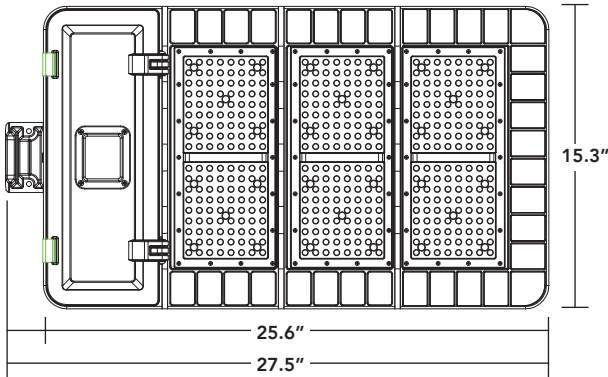
75L, 120L, 140L



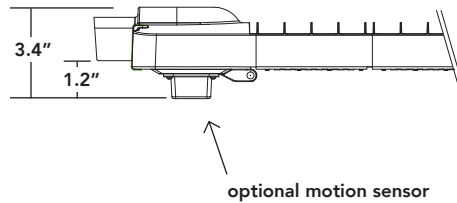
200L, 270L, 330L



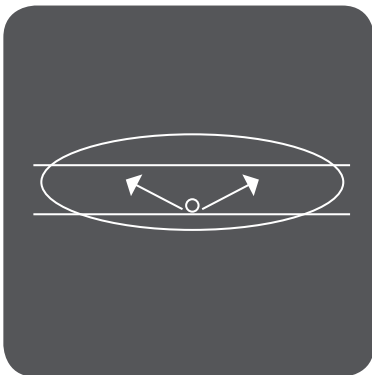
400L



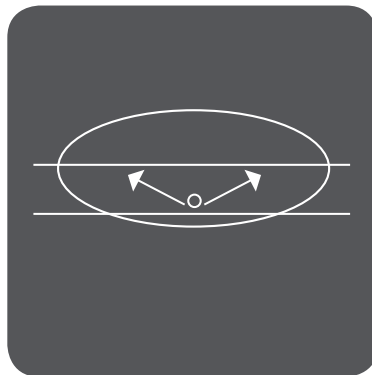
ALL MODELS



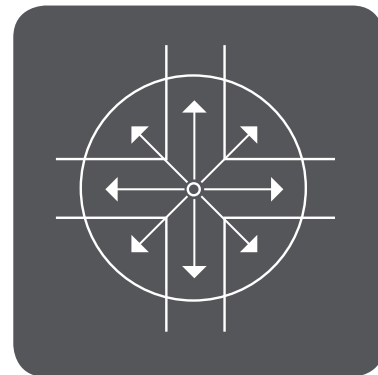
PHOTOMETRICS



T3



T4



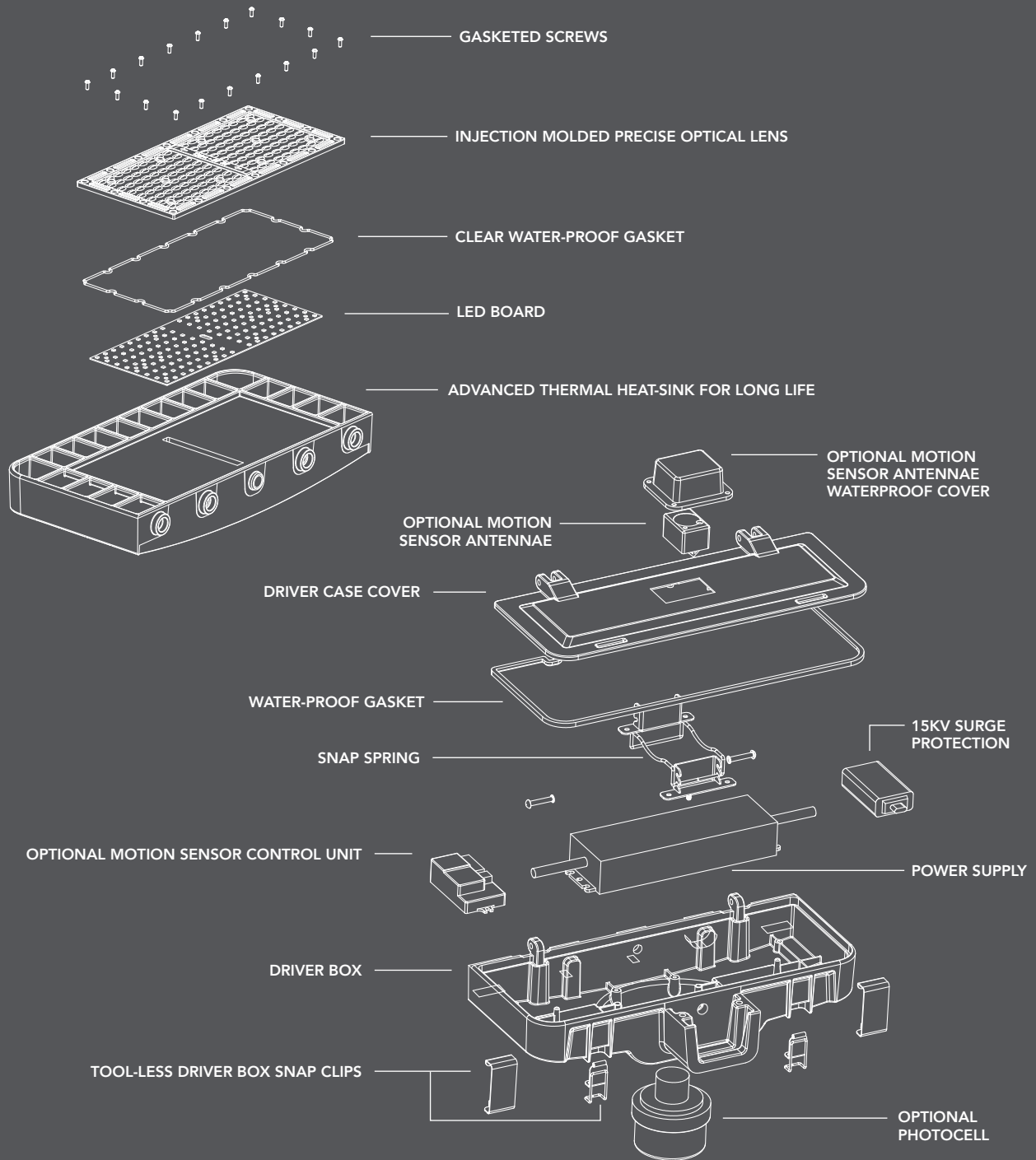
T5

RemPhos by Light Efficient Design
lighting on target

FOR PRODUCT INFO ("LED" MODEL #) CONTACT.....Light Efficient Design • 188 S. Northwest Highway • Cary, IL 60013 • 847.380.3540 • led-llc.com
FOR PRODUCT INFO ("RP" MODEL #) CONTACT.....RemPhos by Light Efficient Design • 30 Log Bridge Road, Building 200 • Middleton, MA 01949 • 877.997.3674 • remphos.com

08.20.18 Information is subject to change without notice.

LEDAL G2 LED AREA LIGHT | SHOEBOX STYLE FIXTURE



RemPhos by Light Efficient Design
lighting on target

FOR PRODUCT INFO ("LED" MODEL #) CONTACT.....Light Efficient Design • 188 S. Northwest Highway • Cary, IL 60013 • 847.380.3540 • led-llc.com
 FOR PRODUCT INFO ("RP" MODEL #) CONTACT.....RemPhos by Light Efficient Design • 30 Log Bridge Road, Building 200 • Middleton, MA 01949 • 877.997.3674 • remphos.com

08.20.18 Information is subject to change without notice.